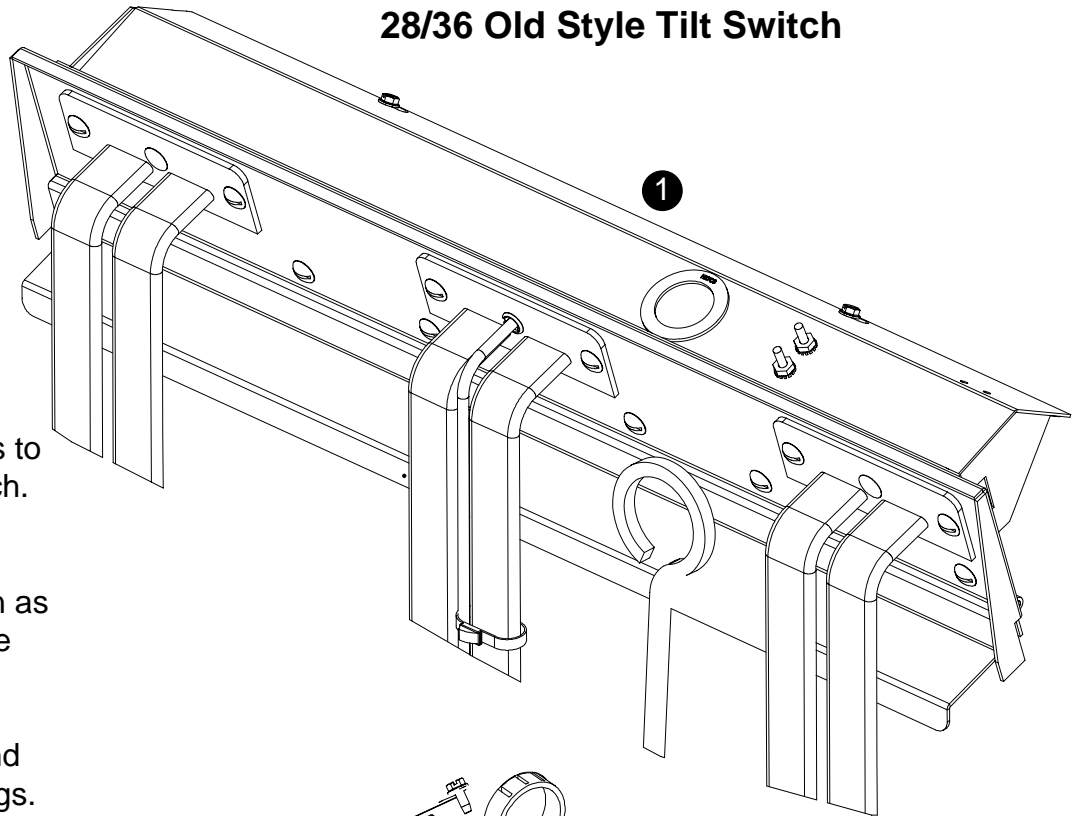


Tilt Switch Kit 826-2741

In This Kit			
Component	Description		Qty
1081155	SWITCH, MERCURY TILT	EA	1
2206225	MOUNT, TILT SWITCH 1721	EA	1
8090743	SCREW, 4-40 X 1 PAN HEAD S.S.	EA	4
8090237	NUT, 4-40 KEPS HEX W/EXT TH	EA	4
8090671	WASHER, #8 FLAT SS	EA	4
8070705	TERMINAL PUSH ON FUL/INSULATED	EA	2
8196615	1721/WALMRT TLT SWTCH RETR FIT	EA	1

28/36 Old Style Tilt Switch

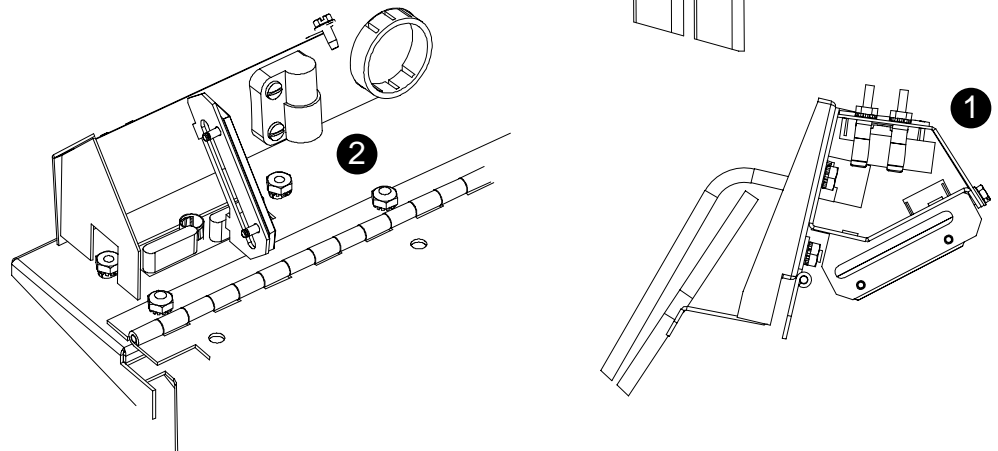


1. Remove the cowling holding the spring brackets to gain access to the tilt switch.

2. Install the provided tilt switch in the same location as the old switch, ensuring the wires are facing the plate.

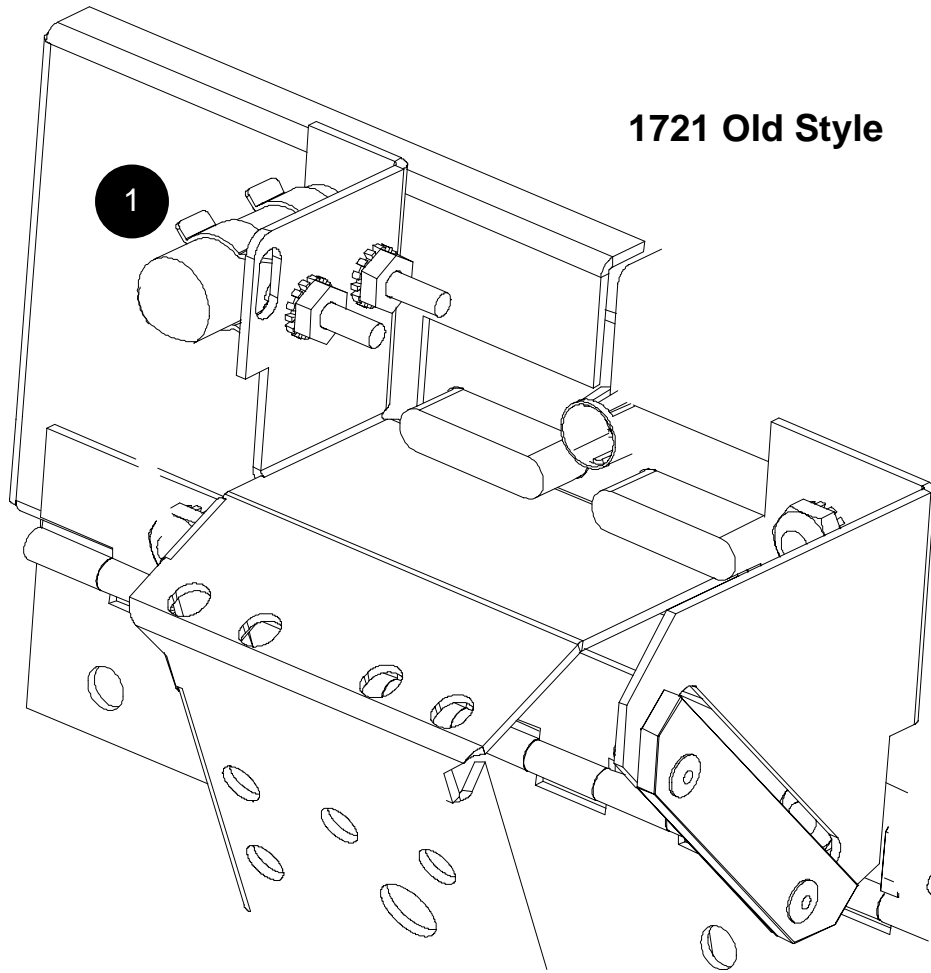
3. Remount the cowling and reattach the element springs.

4. The new tilt switch is shown in an inverted view below.



28/36 New Style Tilt Switch

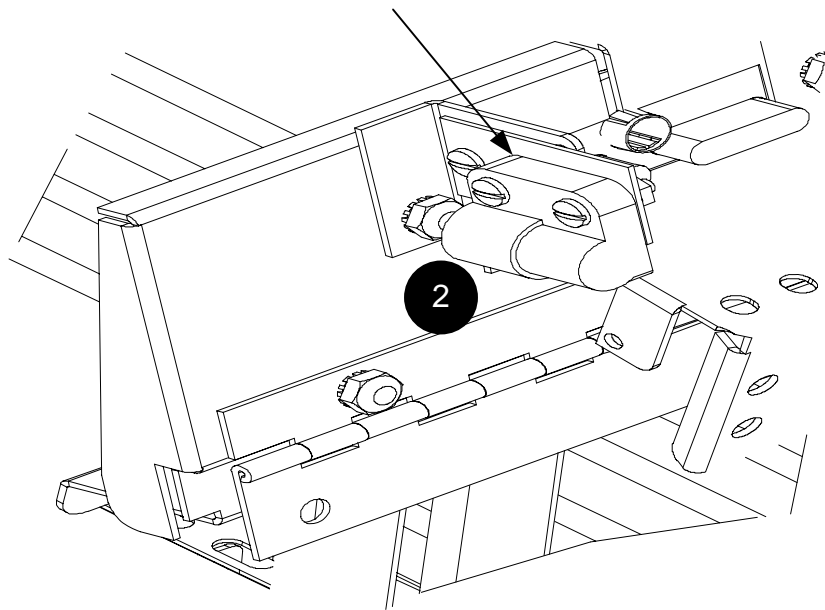
1721 Old Style



1. Remove existing tilt switch and supporting horse-shoe brackets. Retain screws and mounting plate.

2. Attach provided tilt switch, with wires facing out, to the retained bracket.

Retained bracket



1721 New Style